

WINGET

Hand Fed Tilting Drum
Site Mixers



100T, 100T^e, 150T, 175T, 200T
100TFT, 150TFT, 175TFT

WINGET

Hand Fed Tilting Drum
Site Mixers



100T (5 / 3.5) - 100 litres wet batch output
150 litres dry unmixed capacity.up to 1.2m³/hr
Yanmar electric start diesel engine
Standard 4 wheel chassis - site mobile



100Te (5 / 3.5) - 100 litres wet batch output
150 litres dry unmixed capacity.up to 1.2m³/hr
Electric motor drive (110v, single phase)
Standard 4 wheel chassis - site mobile



150T (7 / 5) - 150 litres wet batch output
200 litres dry unmixed capacity.up to 1.8m³/hr
Yanmar electric start diesel engine
Standard 4 wheel chassis - site mobile



175T (8.5 / 6.5) - 175 litres wet batch output
240 litres dry unmixed capacity.up to 2.1m³/hr
Yanmar electric start diesel engine
Standard 4 wheel chassis - site mobile



200T (10 / 7) - 200 litres wet batch output
285 litres dry unmixed capacity.up to 2.4m³/hr
Yanmar electric start diesel engine
Standard 4 wheel chassis - site mobile



100TFT (5 / 3.5) - 100 litres wet batch output
150 litres dry unmixed capacity.up to 1.2m³/hr
Yanmar electric start diesel engine
Fast Tow chassis



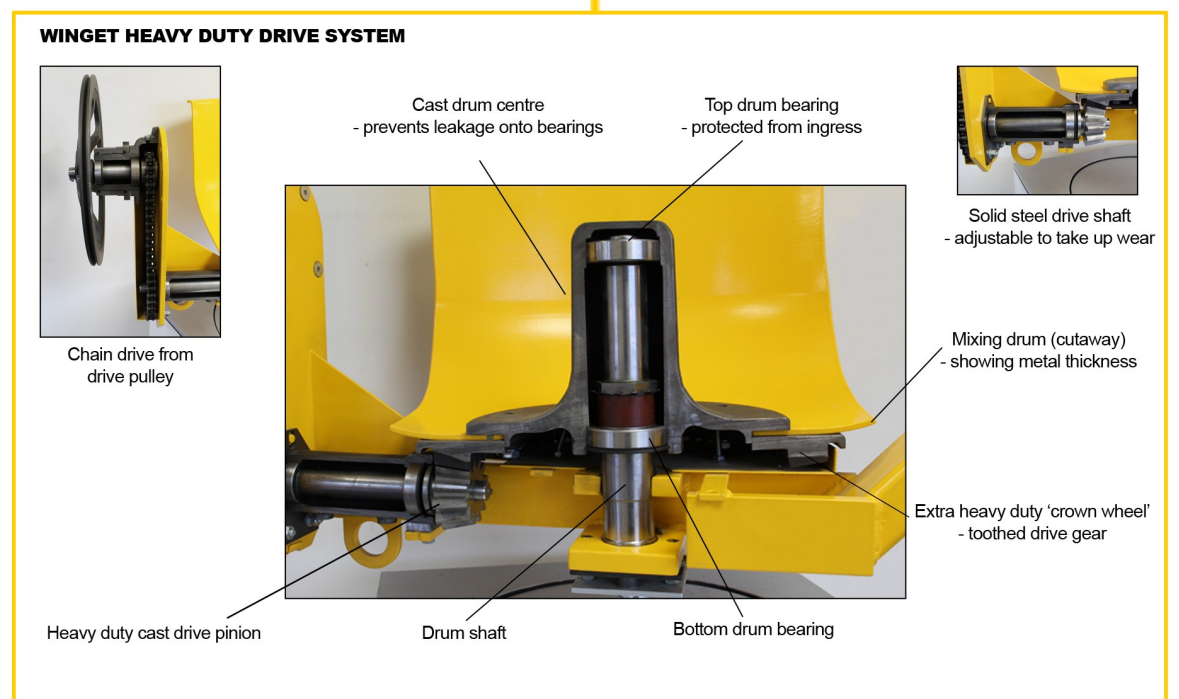
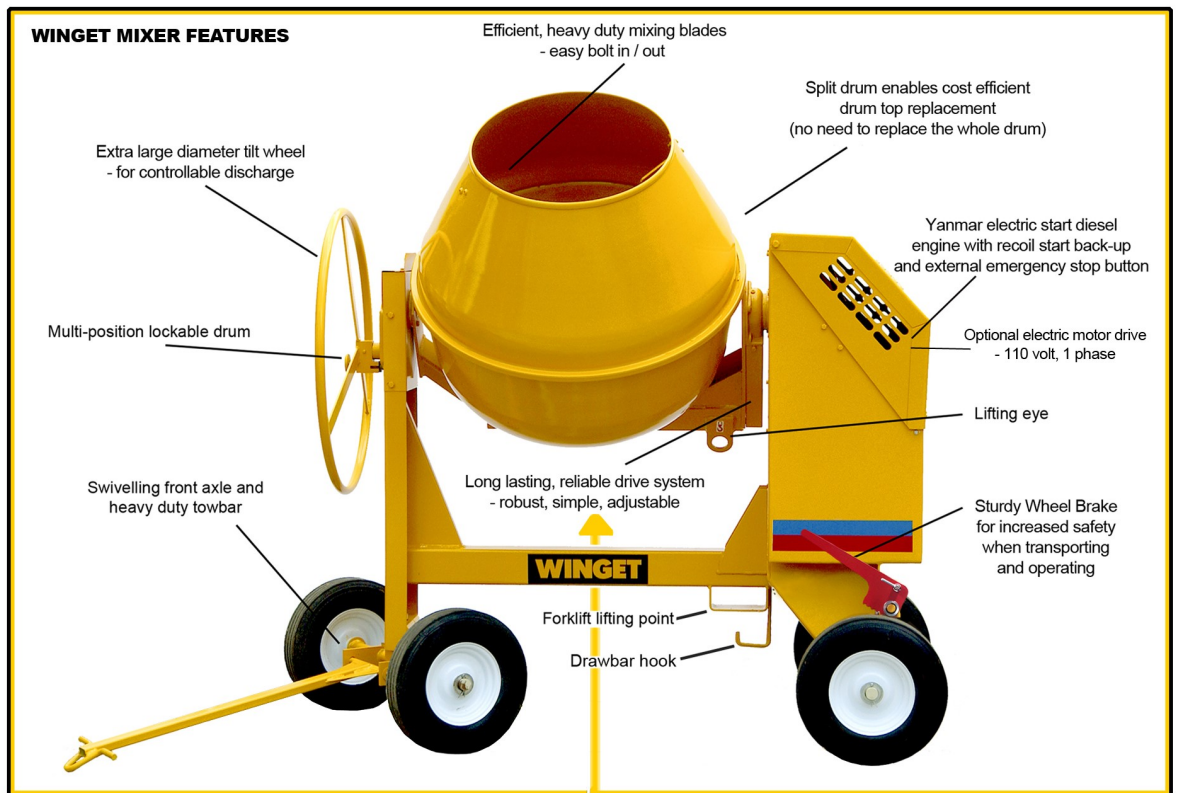
150TFT (7 / 5) - 150 litres wet batch output
200 litres dry unmixed capacity.up to 1.8m³/hr
Yanmar electric start diesel engine
Fast Tow chassis



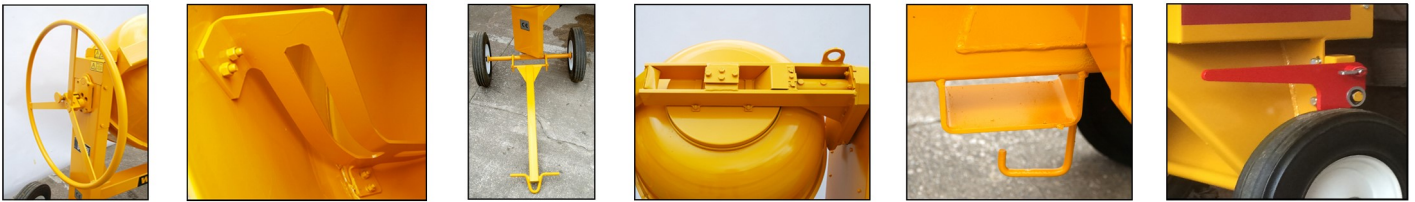
175TFT (8.5 / 6.5) - 175 litres wet batch output
240 litres dry unmixed capacity.up to 2.1m³/hr
Yanmar electric start diesel engine
Fast Tow chassis

WINGET

Hand Fed Tilting Drum Site Mixers



**100T, 100Te, 150T, 175T
100TFT, 150TFT, 175TFT**



Mix with the best...

- **'First choice' site mixers for owners and operators.**
- **Robust engineering for durability, reliability, longevity and safety.**
- **Industry leading parts service and availability.**
- Extra heavy duty bevel wheel and pinion driveline - simple, adjustable, long lasting.
- Split, spun steel drum and bolt in blades for ease and economy of repair.
- Twin, fast acting blades ensure thorough mixing and maximise production rates.
- Strong box section chassis gives clean lines and fewer material traps.
- Lifting points for safe, easy lifting with forklift or chains.
- Capable of mixing 12 batches per hour. Models from 1.2 to 2.4 m³/hr.
- Available in 4 wheel site mobile or 2 wheel road towable models.



Electric start with recoil start back-up - standard on diesel models



Yanmar L48V Stage V - electric start diesel engine

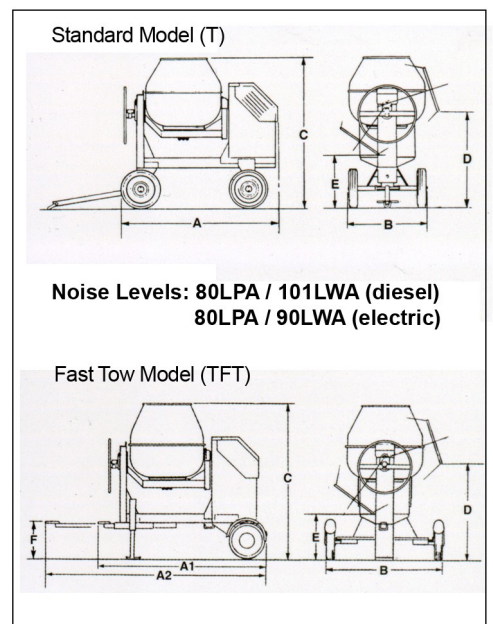


Electric motor drive -110 volt, 1 phase

CAPACITIES	100T / 100Te / 100TFT	150T / 150TFT	175T / 175TFT	200T
Mixed batch output	100 litres	150 litres	175 litres	200 litres
Unmixed capacity	150 litres	200 litres	240 litres	285 litres
Gross drum volume	263 litres	362 litres	377 litres	485 litres
Drum speed	22 / 20 / 22 revs/min	22 rev/min	22 rev/min	22 rev/min
Production rate (max)	1.2 m ³ /hr	1.8 m ³ /hr	2.1 m ³ /hr	2.4 m ³ /hr

STANDARD MODELS	100T / 100Te	150T	175T	200T
A Overall Length	1.55m	1.65m	1.70m	2.17M
B Overall Width	0.82m	0.93m	0.93m	1.11m
C Overall Height	1.57m	1.71m	1.77m	1.82m
D Loading Height	1.00m	1.10m	1.11m	1.13m
E Discharge Height	0.54m	0.57m	0.52m	0.66m
Machine weight	340kg / 315kg	380kg	420kg	540kg

FAST TOW MODELS	100TFT	150TFT	175TFT
A1 Overall Length (operational)	1.72m	1.91m	2.06m
A2 Overall Length (for transportation)	2.37m	2.48m	2.64m
B Overall Width	1.24m	1.32m	1.35m
C Overall Height	1.63m	1.77m	1.34m
D Loading Height	1.06m	1.14m	1.18m
E Discharge Height	0.60m	0.61m	0.59m
F Height to Towbar	0.43m	0.48m	0.45m
Machine weight	370kg	420kg	460kg



PO Box 41, Edgefold Industrial Estate, Bolton, BL4 0LR, England.
+44 (0)1204 854650, sales@winget.co.uk, www.winget.co.uk