



Engine

Make.....	Kubota
Model.....	722
Cylinders.....	3
Fuel type.....	Diesel
Cylinder volume cm ³	719
Cooling system.....	Fluid

Power

SAE, gross power kW/hp.....	15/20
Max gross torque Nm.....	46
At engine speed r/min.....	2600
Max engine speed without load r/min.....	3600

Electrical system

Battery V-Ah.....	12 - 53
Generator A.....	40

Service volumes

Cooling system l.....	5
Engine oil l.....	3,8
Fuel tank l.....	15
Hydraulic tank l.....	40
Hydraulic system total volume l.....	45

Performance

Lifting power hydraulic kg.....	1150
Breakout force 50 cm kg.....	900
Tipping load, straight kg.....	750
Tipping load, articulated kg.....	490
Operating weight kg.....	960
Drive speed km/h.....	0-13
Pulling force kg.....	950

Hydraulic system

Working hydraulics l/min.....	29
System pressure bar.....	200
Drivetrain hydraulics l/min.....	75
Drivetrain max system pressure bar.....	250

Cycle times

Raising boom s.....	2,8
Lowering boom s.....	2,1
Folding in bucket s.....	1,7
Tipping bucket s.....	2,1
Steering wheel rotations L/R rev.....	3,5/4,7

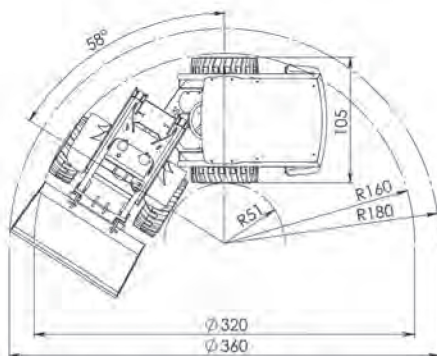
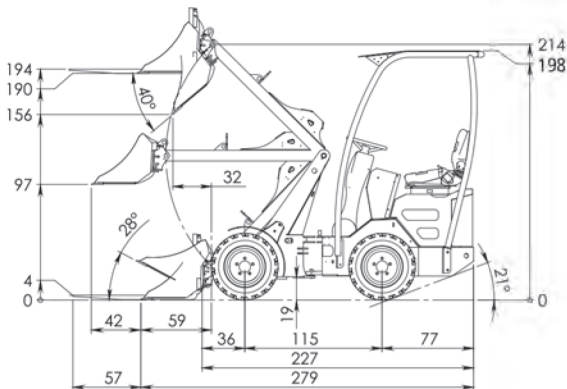
Tires

Dimension.....	23x8,5-12IN
----------------	-------------

755xc The little giant

Norcar's smallest miniloader, the 755xc, is an adaptable and versatile machine for the private user, but also withstands tough professional jobs. With its tight turning radius and compact construction, it is very efficient in confined spaces.

The 755xc has high traction in relation to its weight. The drivetrain is hydrostatic and is controlled by a direction pedal.



2014 mm	20 hp	0-13 km/h
---------	-------	-----------



Standard equipment 755

- Roll bar ROPS/FOPS, seatbelt
- Working lights, front
- Manual parking brake/safety system
- Float on the lifting boom
- Hand throttle/Foot throttle
- Hour counter, fuel light, engine heat indicator
- Suspension seat, armrest right
- Adjustable steering column
- ProDrive



Standard machine

Tipload with pallet fork	Straight	Articulated
A. Transport position kg	600	430
B. Boom horizontal kg	880	580
C. Boom horizontal kg	590	380

MultiFaster Quick release coupling
The MultiFaster Quick release makes changes of hydraulic tools easy and quick. All the hydraulic connections are completed with a simple hand motion and makes it impossible to cross connect. Pressure is automatically released and no oil will leak.

Oscillation lock
Locks the loader's pendular movement in the joint. Can be used during eg. leveling tasks when the tool needs to be parallel to the rear wheels.

FOPS Protective Roof
Steel roof that protects the operator from falling objects.

Tire 23x8,5-12 IN
Durable multi-purpose tire that can withstand heavy loads. Suitable for work on harder surfaces such as asphalt, concrete, and hard packed gravel. Machine width 105 cm.

Extra equipment

LED Work Lighting
Two led lights pointing back and forward.

7007533

Traffic Equipment
Lights and equipment necessary for driving on public roads. Inspection and registration is required for driving on public roads and can vary between countries. Consult your dealer for advice regarding inspection in your region.

7001852

Tire 23 x 10,5-12 GR
Densely patterned tire. Soft tire that is gentle to surfaces and grips well. Suitable for work on grass, gravel paths, and roads. The tire is also good on snow and ice. Tire width gives low ground pressure. Machine width 110 cm.

7001857

Tire 23 x 5,7-12 IN
Extra narrow multi-purpose tire, suitable for work on harder surfaces such as asphalt, concrete, and hard packed gravel. Machine width 93 cm.

7001854

Tire 23 x 8,5-12 GR
Densely patterned tire. Soft tire that is gentle to surfaces and grips well. Suitable for work on grass, gravel paths, and roads. The tire is also good on snow and ice. Machine width 105 cm.

7001856

Tire 23 x 8,5-12 TR
Tractor patterned tire. Provides good traction and is suitable for softer surfaces such as soil, sand, and gravel. Tread pattern is designed to keep the tire clean while driving on wet surfaces. Machine width 103 cm.

7001855

Armrest, left
Provides a more comfortable and restful drive. Recommended for machines driven for longer periods of time in traffic and for landscaping.

7001851

Seat Heater
Heat in the seat's sitting part increases comfort when driving in cold weather.

7001848

Hitch Combo
Hitch with standard 50 mm ball combined with pin for trailer towing eye.

7001846

Hitch
Hitch with standard 50 mm ball.

7001845

Stage 3B Tier 4
Environmental engine
Diesel engine with emission class Tier 4. Environmentally friendly engine with low emissions. The engine is built to meet the emission requirements for Tier 4 in the United States.

7001851

Engine Pre-heater
Improves starting ability and decreases wear during cold starts. Recommended plug-in time 30 min.

7001842

Beacon Light
Warns surroundings of working vehicle.

7007534

Rear View Mirrors
Rear view mirrors mounted on each side of the loader provide a comfortable and secure drive.

7007535